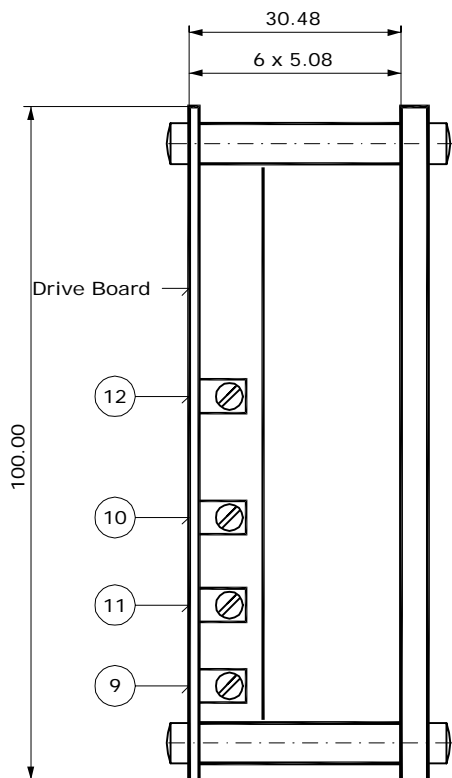


Scanner-Driver ST040/050

**for Feedback-Scanner 040EF and 050EF
without Heating and Power-Supply**

Sheet 1



Description

- 9 Signal Amplitude Trimmer
- 10 DC-Offset Amplitude Trimmer
- 11 Intern Gain Trimmer
- 12 Damping Trimmer

Operating Voltage

+/- 20 VDC unstabilized
or 30 VAC Center Tapped
+/- 2,5 Amp.

Fuse:

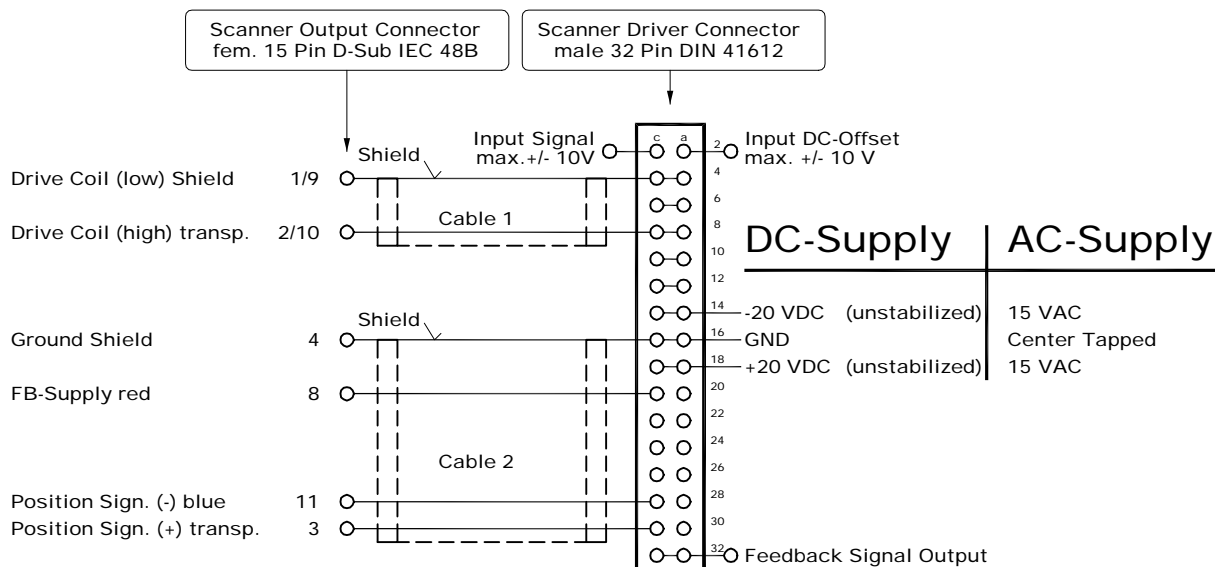
Scanner Driver T 3,15 A

Input Signal: U max. +/- 10 V

input Signal DC-Offset: U max. +/- 10 V

Weight: 300 g

Input Signal DC-Offset: U max. +/- 10 V



0

0609