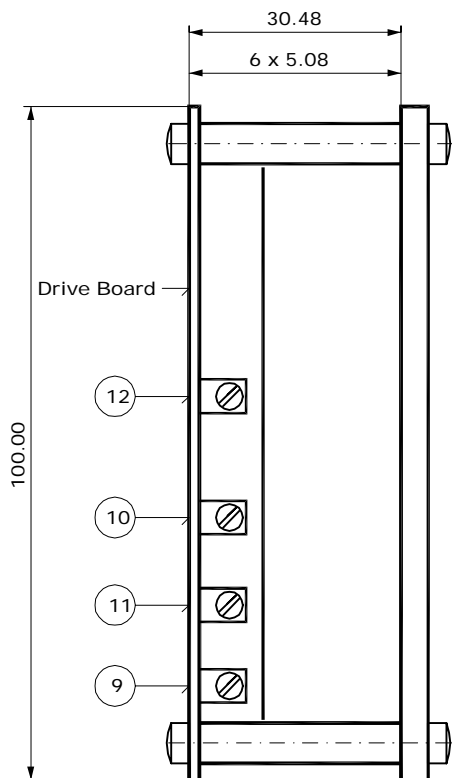


Scanner-Driver ST040/050

**for Feedback-Scanner 040EF(T) and 050EF(T)
without Heating and Power-Supply**

Sheet 1



Description

- 9 Signal Amplitude Trimmer
- 10 DC-Offset Amplitude Trimmer
- 11 Intern Gain Trimmer
- 12 Damping Trimmer

Operating Voltage

+/- 20 VDC unstabilized
or 30 VAC Center Tapped
+/- 2,5 Amp.

Fuse:

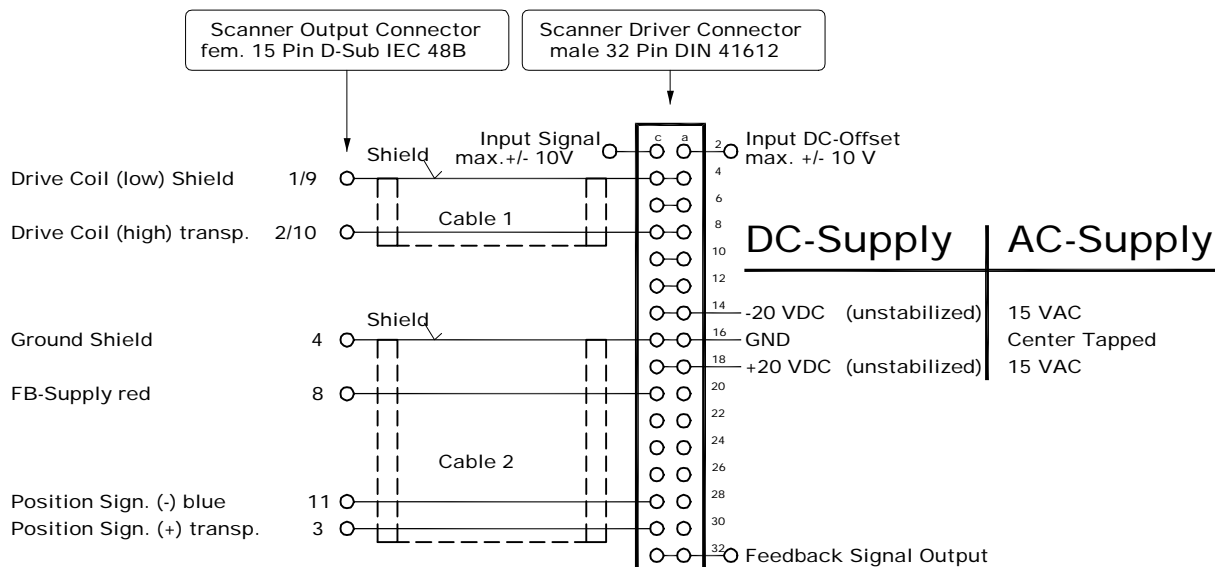
Scanner Driver T 3,15 A

Input Signal: U max. +/- 10 V

input Signal DC-Offset: U max. +/- 10 V

Weight: 300 g

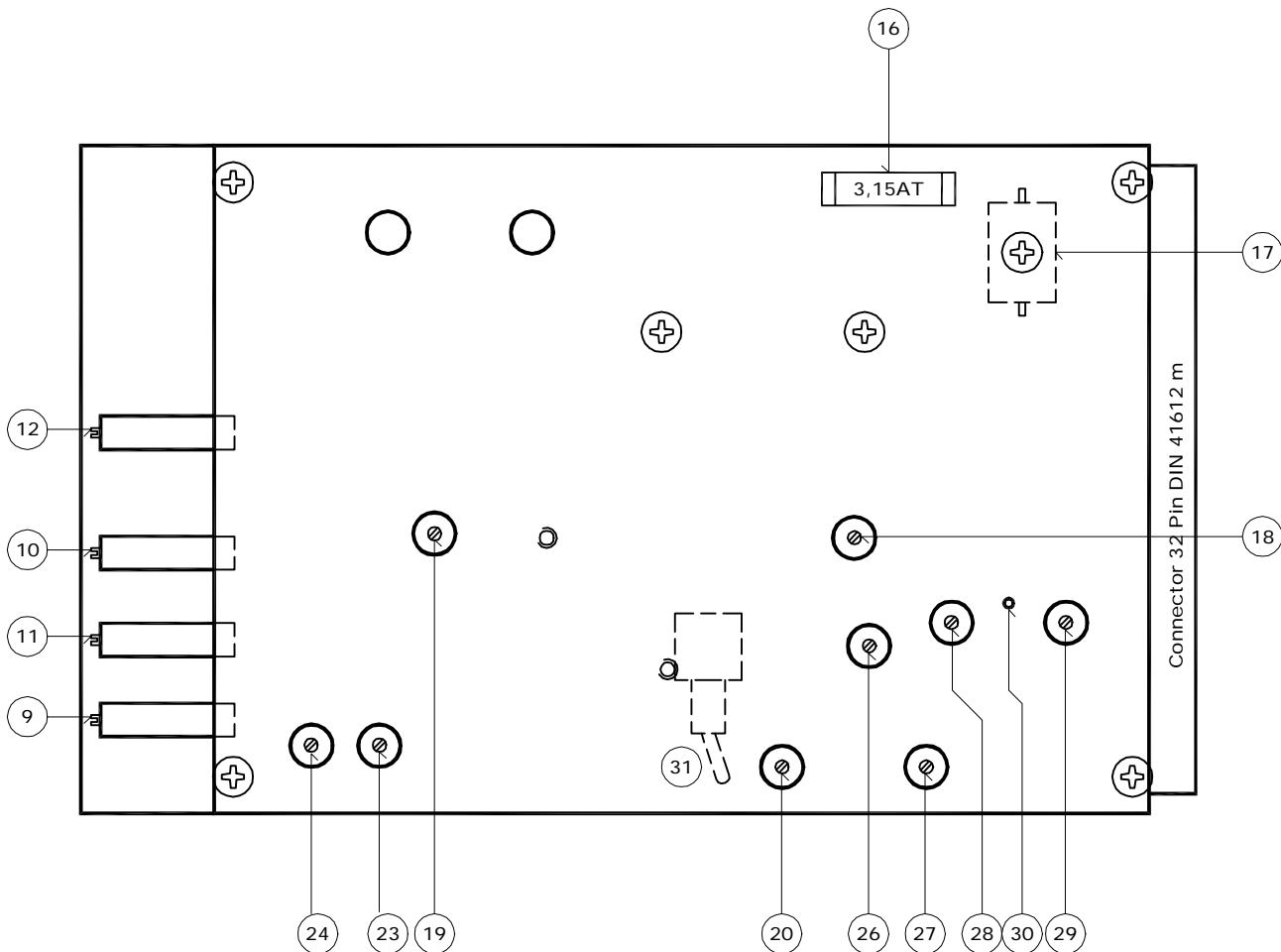
Input Signal DC-Offset: U max. +/- 10 V



Scanner-Driver ST040/050

**for Feedback-Scanner 040EF and 050EF
without Heating and Power-Supply**

Sheet 2



Description

- 16 Fuse Drive Coils Output T 3,15 A 5 x 20 mm
- 17 Current Measure Resistor (according to list)
- 18 Trimmer I-Factor (trimmed by manufacturer - don't screw)
- 19 Trimmer Feedback Signal Offset Adjust
- 20 Trimmer Driver Offset Adjust

- 23 Trimmer LED-Display +max.deg. adjust at 40 deg. f. 040EF / 50 deg. f. 050EF optical.
- 24 Trimmer LED-Display -max.deg. adjust at 40 deg. f. 040EF / 50 deg. f. 050EF optical.
- 25 Switch ON/OFF (Switch-Retarding) (ON = approx. 10 Min.) by heated Driver ST140/150
- 26 Trimmer BJC -Speed (trimmed by manufacturer - don't screw)
- 27 Trimmer BJC -Balance (trimmed by manufacturer - don't screw)
- 28 Trimmer BJC -Gain (trimmed by manufacturer - don't screw)
- 29 Trimmer BJC -Difference (trimmed by manufacturer - don't screw)
- 30 BJC-Test Point
- 31 Signal Input Inverter Switch

not installed
ST040/050