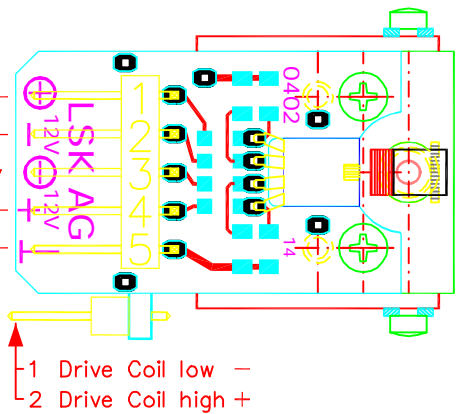


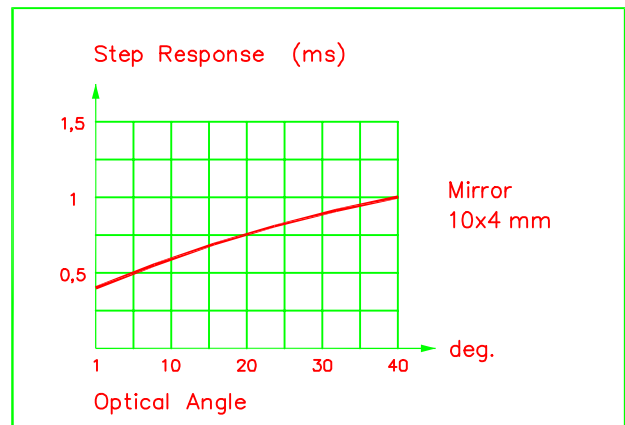
Position Output positiv –
 12V – (stab.)
 Position Output negativ
 12V + (stab.)
 Ground (GND)



Care must be taken to prevent the open magnet from attracting magnetic particles

Specifications

Optical Angle (deg.)	40
Coil Resistance (ohm)	4.6
Linearity (%)	+/-0.4
Repeatability (mrad) (NTC)	0.10
Zero Drift (mrad/deg. cel.)	0.10
Maximum Torque (Nm)	0.032
Typical Mirror Size (mm)	10x4x0.5
Life time (cycles)	10 ⁹
Weight (g)	22



Measured with LSK Scanner-Driver and Mirrormount.