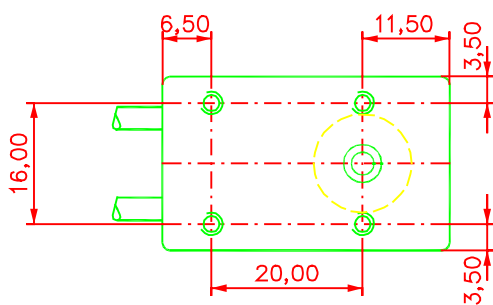


Cable 300 mm long
 black = Drive Coil low
 transparent = Drive Coil high



Caution
 Don't screw in the upper fixation screw deeper than **5mm** otherwise the inner parts will be destroyed.

Specifications

Optical Angle (deg.)	50
Coil Resistance parallel (ohm)	3,2
Frequency Range (Hz)	0 up to 700
Resonance-Freq. (Hz) *	500
Repeatability (mrad)	0,20
Zero Drift (mrad/deg.cel.)	0,10
Wobble (mrad)	0,03
Maximum Torque (Nm)	0,06
Typical Mirror Size (mm)	up to 25x35x2
Life time (cycles)	10 ¹⁰
Weight (g)	180

*= Measured with Mirrormount and Mirror Ø6x1mm

Current and tension in relation to the deflection angle in static operation.

