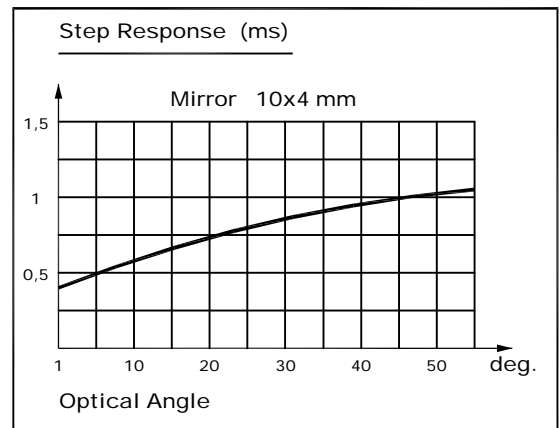
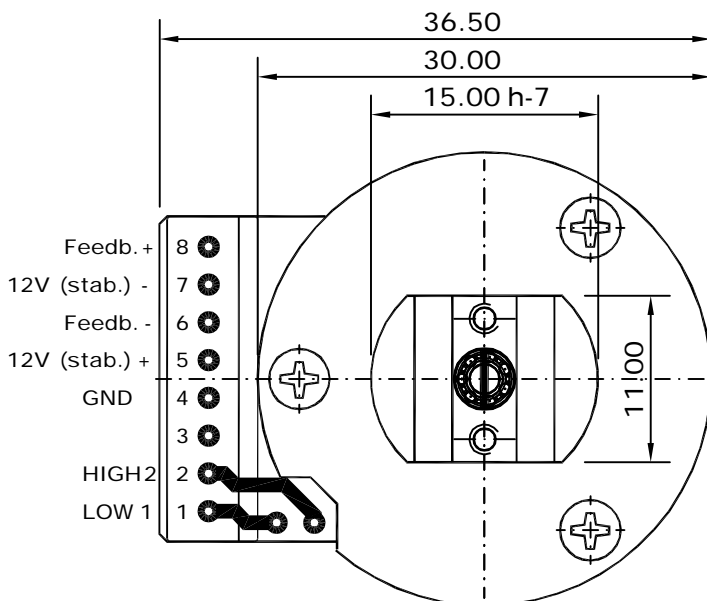
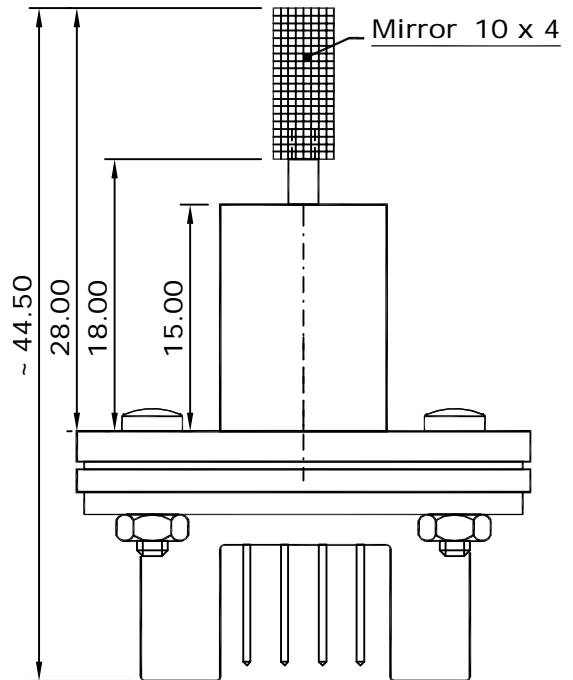
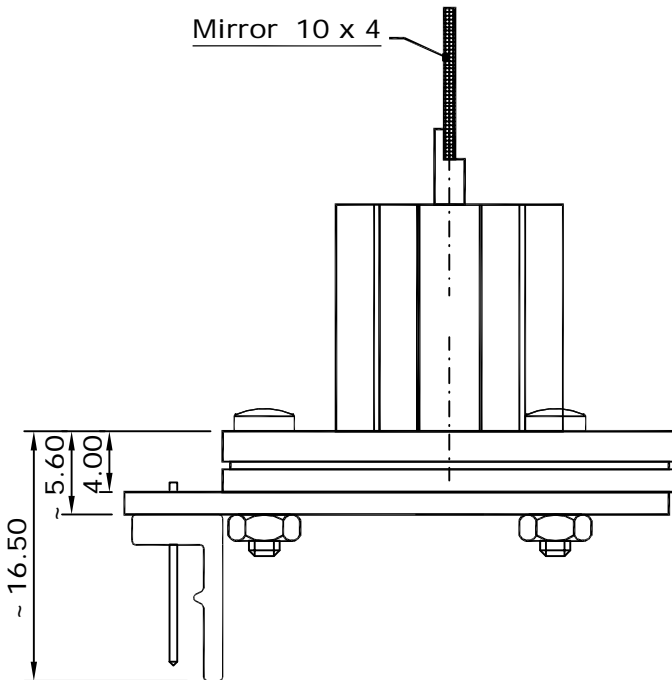


Specifications

Optical Angle (deg.)	54
Coil Resistance (ohm)	1.8
Linearity (%)	+/-0.4
Repeatability (mrad) (NTC)	0.10
Zero Drift (mrad/deg. cel.)	0.20
Maximum Torque (Nm)	0.032
Typical Mirror Size (mm)	10x4x0.5
Life time (cycles)	10 ⁹
Weight (g)	18

Care must be taken to prevent the open magnet from attracting magnetic particles



Measured with LSK Scanner-Driver and Mirrormount.